



iMage Hybrid PTZ Camera (Wide-angle)

Video Conferencing Camera

HDMI/USB3.0 HD Video Transmission

12x Optical Zoom / 72.5-degree wide-angle

1920 x 1080 Resolution and 60 FPS



Key Features

- **1080P Full HD**

With maximum resolution of 1920 x 1080 and output frame rate up to 60 frames / sec, this camera provides high-definition as well as fluent video.

- **USB 3.0**

Support USB3.0 transmission, the highest rate up to 5Gbps, ensure real-time lossless HD data transmission.

- **Low Light**

High SNR of CMOS sensor combined with 2D and 3D noise reduction algorithm, effectively reduce the noise, even under low illumination conditions, picture can still keep clean and clear, SNR more than 55dB.

- **The first multi-interface design in the world**

Support HD USB3.0, HDMI, Network stream, three-stream simultaneous output, compatible with CVBS.

- **12x Optical Zoom**

Use TAMRON high quality super telephoto lens, support 12x optical zoom.

- **Remote Control**

Using RS232/485 interface, all the parameters of the camera can be remote controlled by the high-speed communications. Support Web & UVC control.



VCC-USB-12X60 Specifications

● Video CMOS Sensor	1/2.7", CMOS, Effective Pixel: 2.07M	● Backlight Compensation	Support
● Video Format & Frame Rate	HD: 1080p/60, 1080p/50, 1080i/60, 1080i/50, 1080p/30, 1080p/25, 720p/60, 720p/50, 720p/30, 720p/25, 640x480p/240 SD: 480i, 576i	● Digital Noise Reduction	2D&3D
● Scanning Mode	Progressive	● Video S/N Ratio	≥55dB
● Lens	12x, F3.5mm ~ 42.3mm, F1.8 ~ F2.8	● Field of View	72.5°
● Lens Zoom	12x Optics	● Ceiling Mount	Support
● Digital Zoom	32x (optional)	● Image Flip & Mirror	Support
● Minimal Illumination	0.5 Lux @ (F1.8, AGC ON)	● Horizontal Rotation Range	±170°
● Shutter	1/30s ~ 1/10000s	● Vertical Rotation Range	-30° ~ +90°
● White Balance	Auto, Indoor, Outdoor, One-Push, Manual	● Number of Preset	255

USB Specifications

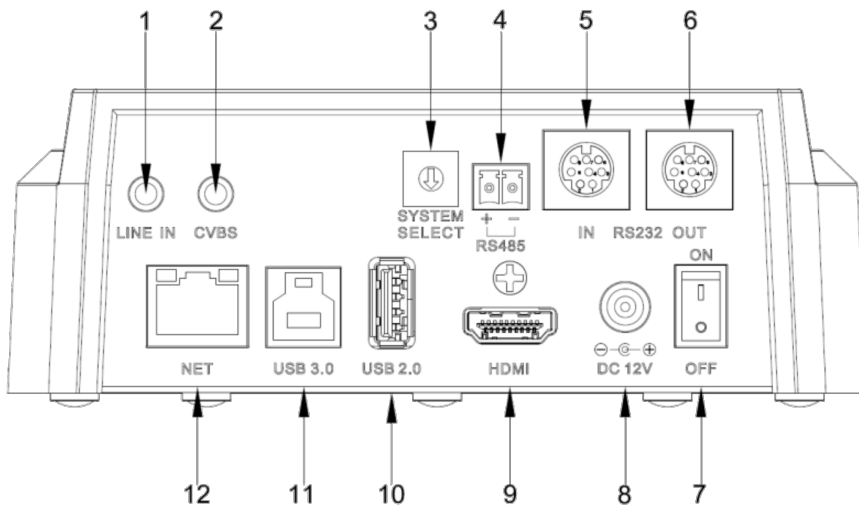
● Video Format & Frame Rate	USB3.0: 1080p/60, 1080p/50, 1080p/30, 1080p/25, 720p/60, 720p/50, 720p/30, 720p/25
	USB2.0: 1080p/10, 720p/25, 960x540p/30, 960x540p/25, 640x360p/60, 640x360p/50
● Color Space	YUV 4:2:2
● USB Video Communication Protocol	UVC1.0
● UVC PTZ	Support

Connectors Interface

● HD Video Output	USB 3.0x1 HDMIx1 (Version1.3)
● SD Video Output	CVBSx1
● Audio Input	3.5mm Line
● Network interface	RJ45x1, 10/100/1000M Ethernet ports
● Control Connector	RS-232, RS485
● Power Connector	JEITA type (DC IN 12V)

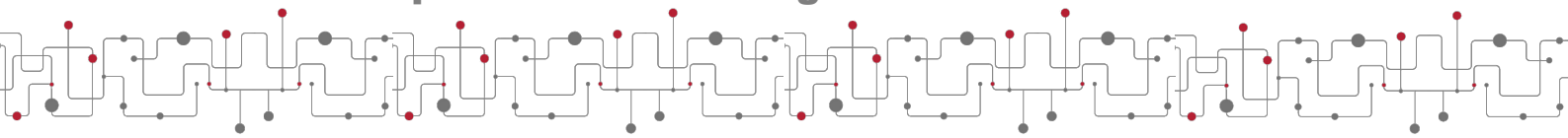
Generic Specifications

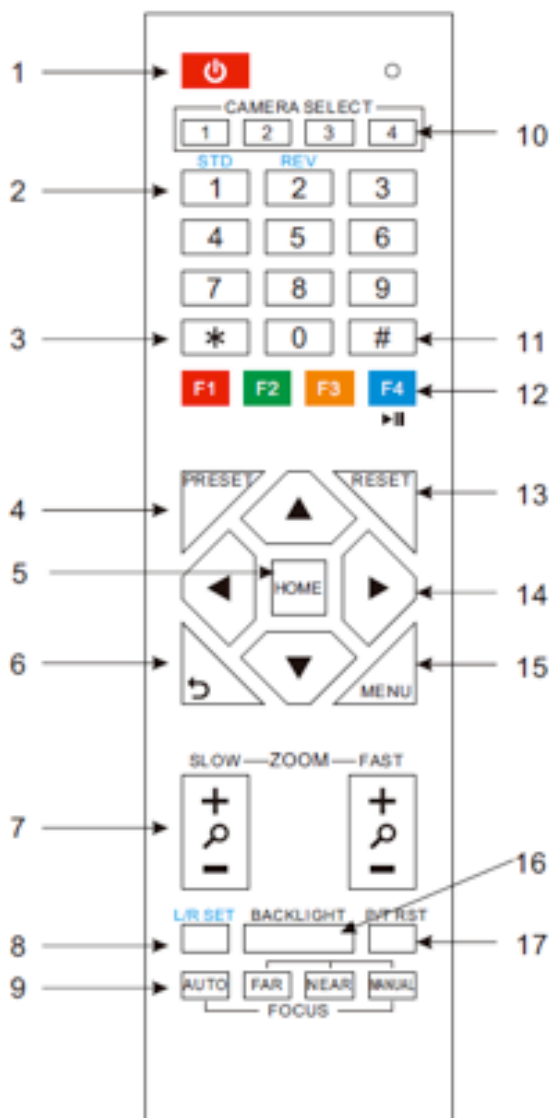
● Input Voltage	DC 12V
● Current Consumption	1.0A (Max)
● Operating Temperature	-10°C ~ 40°C
● Storage Temperature	-40°C ~ 60°C
● Power Consumption	12W (Max)
● Dimensions	169mm x 142mm x 164mm
● Weight	1.35Kg



1. Audio Line In Interface
2. CVBS Interface
3. System Select Switch
4. RS485 Jack
5. RS232 IN Jack
6. RS232 OUT Jack
7. Power Switch
8. DC 12V Jack
9. HDMI Interface
10. USB 2.0 Interface
11. USB 3.0 Interface
12. RJ45 Interface

DATA SHEET Specifications & Diagrams





L/R Set +1[STD]: set the Pan-Tilt turn the same direction as the L/R Set.

L/R Set +2[REV]: set the Pan-Tilt turn the opposite direction as the L/R Set.

9. Focus Buttons

Used for focus adjustment. Press [AUTO] adjust the focuses on the center of the object automatically. To adjust the focus manually. Press [MANUAL] adjust the focus on the center of the object manual MANUAL button, and adjust it with [Far] (Focus on far object) and [NEAR] (Focus on near object).

10. Camera Select Buttons

Press the button corresponding to the camera you want to operate with the remote controller.

11. # Button

Used with other buttons.

12. Set Camera IR Address Buttons

[*]+[#]+[F1]: Address1

[*]+[#]+[F2]: Address2

[*]+[#]+[F3]: Address3

[*]+[#]+[F4]: Address4

13. Clear Preset Buttons

Clear preset: Erase a preset position [CLEAR PRESET] + Numeric button (0-9) Or: [*]+[#]+[CLEAR PRESET]: Erase all the preset individually.

14. Pan/Tilt Control Buttons

Press arrow buttons to perform panning and tilting. Press [HOME] button to face the camera back to front.

15. Back buttons

Press the OSD menu return to the superior.

16. BLC (Backlight Compensation) Button

BLC ON/OFF: Press this button to enable the backlight compensation. Press it again to disable the backlight compensation. (NOTE: Effective only in auto exposure mode) Note: If a light behind the subject, the subject will become dark. In this case, press the backlight ON / OFF button. To cancel this function, press the backlight ON / OFF button.

17. Pan/Tilt reset

Preset Pan/Tilt self-test.

18. Image freezing function

Manually freeze: Open the freezing function after press the remote control [F4], display "Freeze" on the left upper corner character, after 5 seconds display disappear automatically. If you want to cancel the freeze, press [F4] key and then can return to normal, display "Unfreeze" on the left upper corner, after 5 seconds display disappear automatically.

Recalling the Preset image Freeze : By the OSD Menu Setting "Recalling the Preset image Freeze" function. After the function is opened, the screen will stay in before Recalling the Preset when Recalling the Preset, the screen can be switched to the preset position screen until the camera points to the preset position.

19. Shortcut Set

[*]+[#]+[1]: OSD menu default English [*]+[#]+[3]: OSD menu default Chinese [*]+[#]+[4]: Default IP address

[*]+[#]+[5]: Save OSD

[*]+[#]+[6]: Quickly recover the default [*]+[#]+[8]: Look the camera version [*]+[#]+[9]: Quickly set up inversion

1. Standby Button

Press this button to enter standby mode. Press it again to enter normal mode. (Note: Power consumption in standby mode is approximately half of the normal mode)

2. Position Buttons

To set preset or call preset.

3. * Button

Used with other buttons.

4. Set/Clear Preset

Set preset: Store a preset position [SET PRESET] + Numeric button (0-9): Setting a corresponding numeric key preset position.

5. Pan-Tilt control Buttons

Pressing the Pan-Tilt back to the middle position.

6. MENU

MENU: enter or exit OSD MENU.

7. Zoom Buttons

Slow Zoom: Zoom In [+] or Zoom Out [-] slowly.
Fast Zoom: Zoom In [+] or Zoom Out [-] fast.

8. Pan-Tilt L/R set

Press with 1 buttons and 2 buttons setting the direction of the Pan-Tilt.

DATA SHEET Specifications & Diagrams

